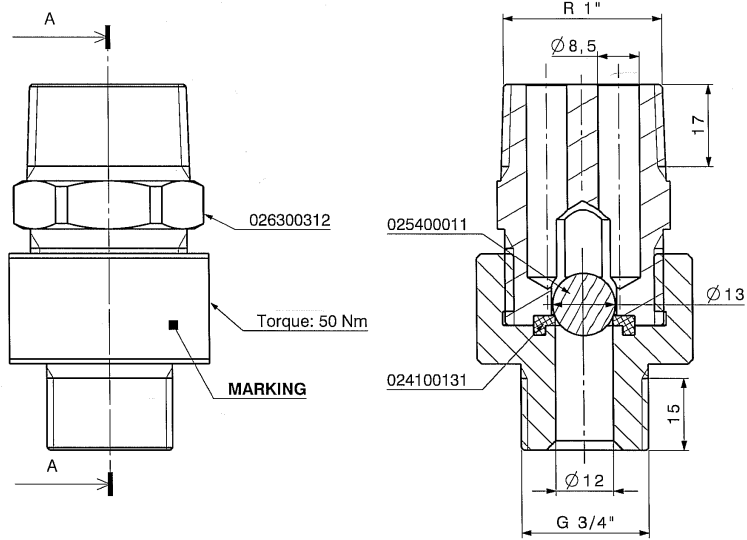


CHECK VALVE

The check valve prevents a back-flow of the extinguishing agent into the cylinder. The check valve is provided with a connection thread R1" DIN EN 10226-1 for the connection to the manifold and a connection thread G3/4" DIN ISO 228-1 for the connection to the discharge hose.



SPECIFICATION

| Model No | B04600008-NF |
|--------------------------|--|
| Material | <ul style="list-style-type: none"> • Housing - Brass • Ball - Stainless Steel • Sealing - Thermoplastic |
| Connection Thread Inlet | G3/4" DIN ISO 228-1 |
| Connection Thread Outlet | R1" DIN EN 10226-1 |
| Nominal Diameter | DN 12 |
| Working Pressure | 300 Bar |
| Pressure to Open | <0.1 Bar |



NAFFCO
 Email: info@naffco.com
www.naffco.com

In line with NAFFCO policy for continuous product development, NAFFCO has the right to change specifications without prior notice.