

©
 O
 U
 E
 E
 A
 Z



FLEXIBLE HOSES

Model No.: NF RH 1702, NF PCH 1708, NF PCH 1704

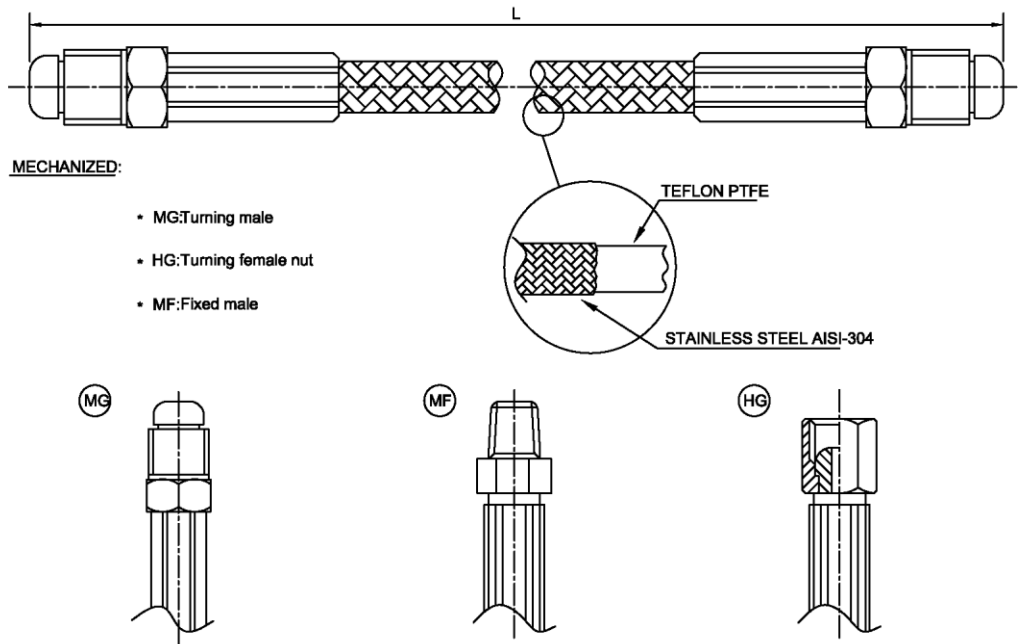
DESCRIPTION

These components can be used both in batteries actuation systems and in modular cylinders as flexible hoses. They are compatible with whichever extinguishing gaseous agent.

1/4" diameter Teflon hoses fitted with brass ends used to direct the release system fire extinguishing agent from the master cylinders or pilot cylinders to all auxiliary cylinders. The flexible hoses are designed for a working pressure of 3770 psi and a burst pressure of 11313 psi. The minimum bending radius is 1.18 inches.

PTFE hoses are available in three lengths, 7, 22.8 and 27.6 inches and their specific application is as follows:

- Connection between Electric Actuator and Manual release: Teflon hoses, Ø1/4" x 7 inches;
- Cylinders bank of 67 lb capacity: Teflon hoses, Ø1/4" x 23 inches;
- Cylinders bank of 100, 190, 300, 430 and 590 lb capacity: Teflon hoses, Ø1/4" x 27 inches



Model No.	Ø Thread	DN	L, Inch (±1.5%)	Working Temperature	Working Pressure	Burst Pressure	Bending Radius (Inch)	Coupling Material
NF RH 1702	R. 1/8" (MF) - R. 1/8" (HG)	1/8"	6.299 (6.205-6.394)	-94°F - +500°F	1914.5 psi	5743.5 psi	1.181	Brass DIN 17672
NF PCH 1708	R. 1/4" (MG) - R. 1/4" (MG)	1/4"	27.559 (27.146-27.972)					
NF PCH 1704	R. 1/4" (MG) - R. 1/4" (MG)	1/4"	22.835 (22.492-23.177)					



NAFFCO FZCO
World Headquarters

Dubai, United Arab Emirates
info@naffco.com | naffco.com

We reserve the right to modify specifications without prior notice