

NAFFCO

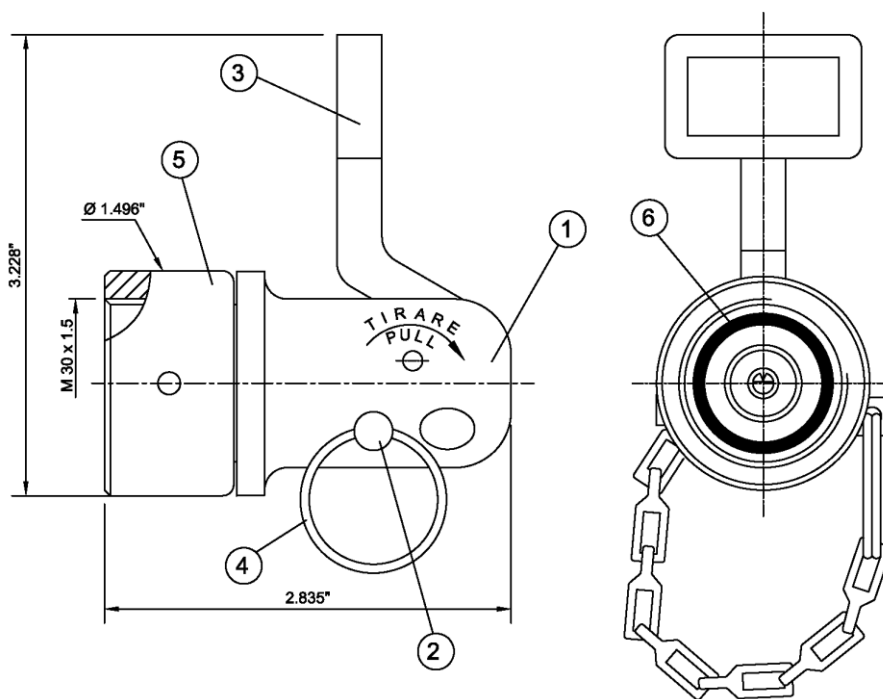
MANUAL RELEASE FOR MODULAR SYSTEM



Model No.: NF MRM 1801

DESCRIPTION

This device allows manual actuation of the auxiliary/pilot cylinder of a firefighting system. It consists of a lever that manually operated backwards and downwards pushes a needle against a release disk located on the valve body. The bursting of the release disk opens the valve and then allows the discharge of the extinguishing agent. It is provided also with a safety pin against accidental discharge.



MATERIALS

No.	Description	Material
1	Body	Brass EN 12165:98 Tab4
2	Safety Pin	Brass EN 12165:98 Tab4
3	Lever	Brass EN 12165:98 Tab4
4	Pulling Ring	Steel (Commercial)

No.	Description	Material
5	Nut	Brass EN 12165:98 Tab4
6	O-Ring \varnothing 0.826" x 0.079"	NBR (N0674-70, UL)
Thread in compliance with DIN 13		



NAFFCO FZCO
World Headquarters

Dubai, United Arab Emirates
info@naffco.com | naffco.com

We reserve the right to modify specifications without prior notice

NAFFCO

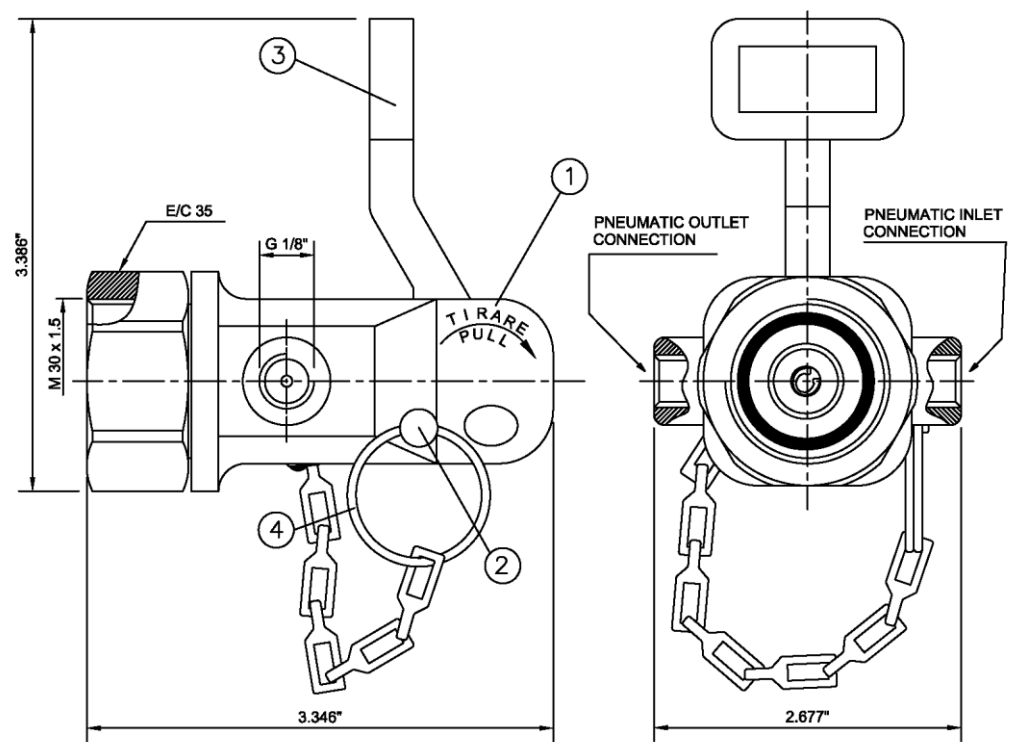
MANUAL RELEASE FOR CENTRALIZED SYSTEM



Model No.: NF MRC 1802

DESCRIPTION

This device allows manual and pneumatic actuation of the auxiliary cylinder of a high pressure bank system. It consists of a lever that manually operated backwards and downwards pushes a needle against a release disk located on the valve body. The bursting of the release disk opens the valve. It is provided also with a safety pin against accidental actuation.



MATERIALS

No.	Description	Material
1	Body	Brass EN 12165:98 Tab4
2	Safety Pin	Brass EN 12165:98 Tab4
3	Lever	Brass EN 12165:98 Tab4
4	Pulling Ring	Steel (Commercial)

TECHNICAL SPECIFICATION

Max. Working Pressure	3480.9 psi
Thread	<ul style="list-style-type: none"> • THREAD (M) in compliance with DIN 13 specification • THREAD (R) in compliance with ISO 228 specification



NAFFCO FZCO
World Headquarters

Dubai, United Arab Emirates
info@naffco.com | naffco.com

We reserve the right to modify specifications without prior notice