

©
 O
 C
 F
 F
 A
 Z

1-WAY PNEUMATIC CONE

Model No.: NF PC1 1502

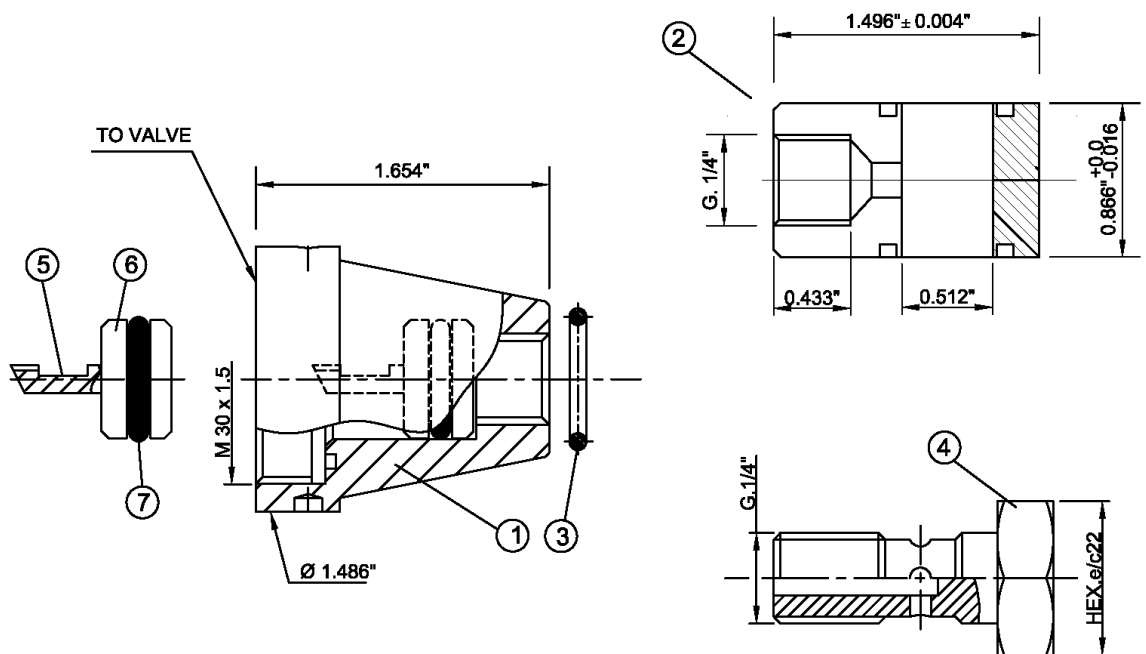


DESCRIPTION

The pneumatic cone is used for the pneumatic release of slave cylinders in NAFFCO bank systems. This component equipped with a 1-way "T" coupling is used on the last battery cylinder.

The pneumatic cone is provided with an internal piston fitted with a needle. The piston is

pneumatically activated by the discharge of agent from the pilot cylinder or the master cylinder, and the needle bursts a disk placed on the valve body of the auxiliary cylinder, discharging the extinguishing agent contained in the cylinder.



MATERIALS

No.	Description	Material
1	Pneumatic Cone	Brass
2	1-way "T" coupling	Brass
3	O-Ring, 0.548" x 0.103"	Nitrile (NBR)
4	Screw G. 1/4"	Brass
5	Needle Protractor	Steel
6	Body Piston	Brass
7	O-Ring, 0.487" x 0.103"	Nitrile (NBR)

TECHNICAL SPECIFICATION

Working Pressure	2900.8 psi
Minimum	217.6 psi
Triggering Pressure	1450.4 psi
Nominal	
Max	2175.6 psi
Min. Signal Duration	1 s
Thread	In compliance with ISO 228 specification



NAFFCO FZCO
 World Headquarters

Dubai, United Arab Emirates
 info@naffco.com | naffco.com

We reserve the right to modify specifications without prior notice

©
 O
 C
 F
 F
 A
 Z

2-WAY PNEUMATIC CONE

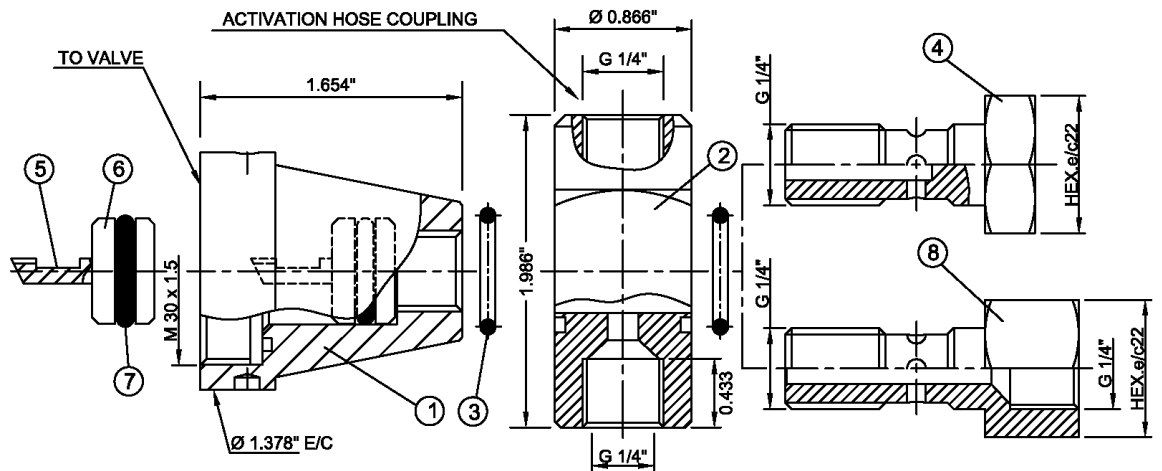
Model No.: NF PC1 1503



DESCRIPTION

The pneumatic cone is used for the pneumatic release of slave cylinders in NAFFCO bank systems. This component equipped with a 2-way "T" coupling is used on intermediate battery cylinders.

The pneumatic cone is provided with an internal piston fitted with a needle. The piston is pneumatically activated by the discharge of agent from the pilot cylinder or the master cylinder, and the needle bursts a disk placed on the valve body of the auxiliary cylinder, discharging the extinguishing agent contained in the cylinder.



MATERIALS

No.	Description	Material
1	Pneumatic Cone	Brass
2	1-way "T" coupling	Brass
3	O-Ring, 0.548" x 0.103"	Nitrile (NBR)
4	Screw G. 1/4"	Brass
5	Needle Protractor	Steel
6	Body Piston	Brass
7	O-Ring, 0.487" x 0.103"	Nitrile (NBR)
8	Selector Screw	Brass

TECHNICAL SPECIFICATION

Working Pressure	2900.8 psi
Minimum	217.6 psi
Triggering Pressure	1450.4 psi
Nominal	
Max	2175.6 psi
Min. Signal Duration	1 s
Thread	In compliance with ISO 228 specification



NAFFCO FZCO
 World Headquarters

Dubai, United Arab Emirates
 info@naffco.com | naffco.com

We reserve the right to modify specifications without prior notice