

NAFFCO

PNEUMATIC HEAD FOR 65/360 HEAD VALVE

Model No.: NF BH 1401, NF PH 1402



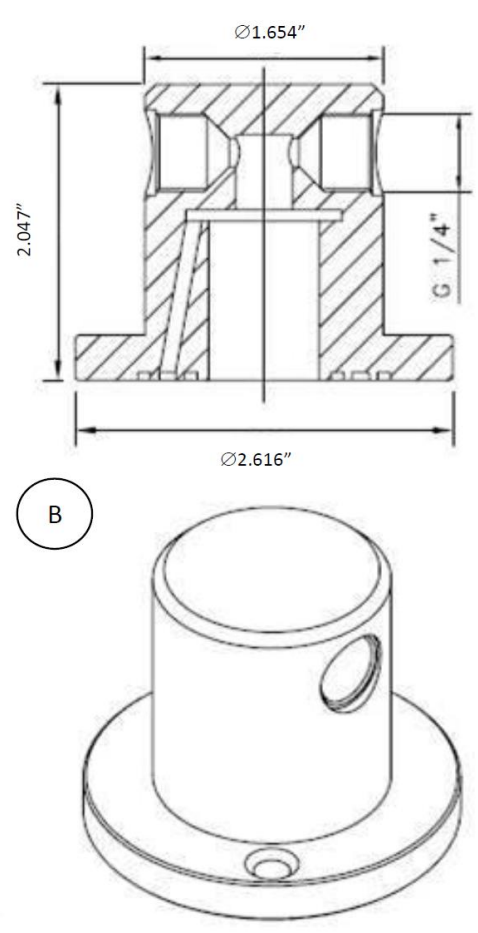
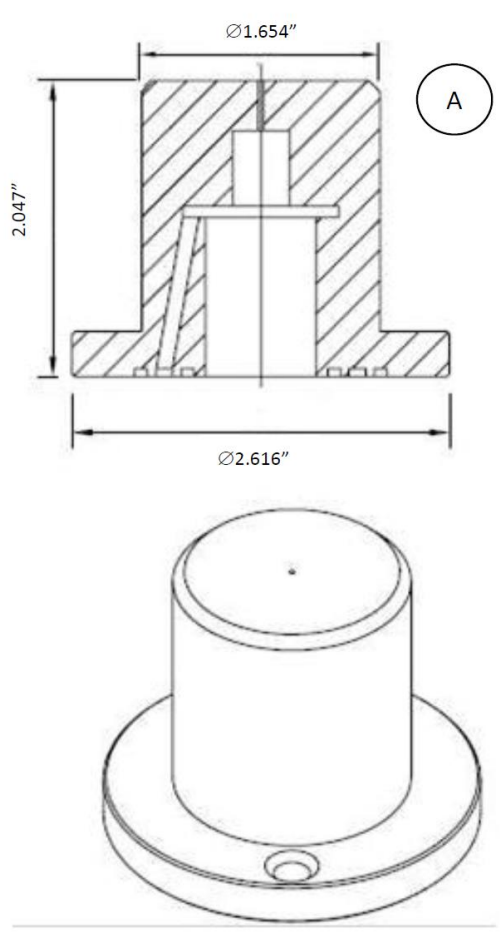
DESCRIPTION

The pneumatic head is a release system designed to open NAFFCO 65/360 valve and to be used with 190, 300, 430 and 590 lb cylinders.

The pneumatic head is provided with an internal piston fitted with a needle. When the piston is pneumatically actuated by the fire suppression agent from the master cylinder, the needle bursts a disk placed on the valve head of the NAFFCO

65/360 auxiliary cylinder valve, pressure in the upper chamber is relieved, the piston rises and discharges the extinguishing agent contained in the cylinder.

There are 2 types of heads: A blind head which is used on modular cylinders and a 2 way head used in Centralized system for Master or auxiliary cylinders.



Model No.	Description	Use	Weight	Material
NF BH 1401	Blind Pneumatic Head	Modular cylinders	0.489 lb	Brass UNI EN12164
NF PH 1402	2 ways Pneumatic Head	Bank Cylinders	0.509 lb	