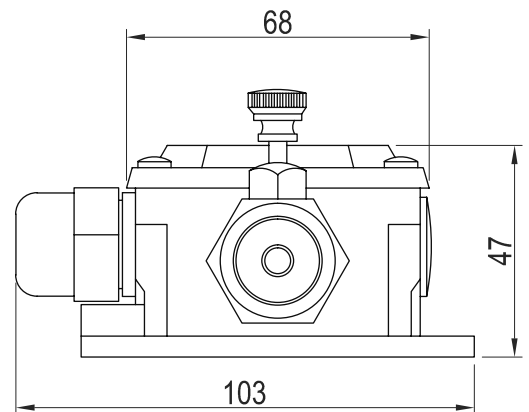
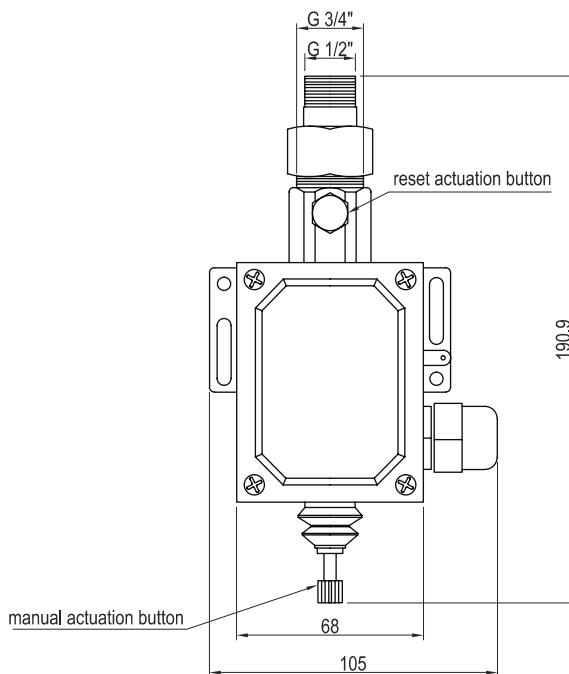


PRESSURE & FLOW DETECTOR SWITCH

Used to send a signal that the system is discharging. Sends a signal to a control panel or alarm box at the earliest phase of discharge.

The pressure and flow detector switch is connected to the manifold and to a power supply. It reacts in the earliest stage of extinguishing agent discharge at 2 Bar pressure and energises or de-energises electrically operated equipment.



SPECIFICATION

Model No	0282550050-NF
Operating Pressure	2 Bar
Connection	G $\frac{1}{2}$ " or G $\frac{3}{4}$ "
Power Source	400 VAC/3A or 24 VAC/10A
IP Rating	IP65



NAFFCO
Email: info@naffco.com
www.naffco.com

In line with NAFFCO policy for continuous product development, NAFFCO has the right to change specifications without prior notice.