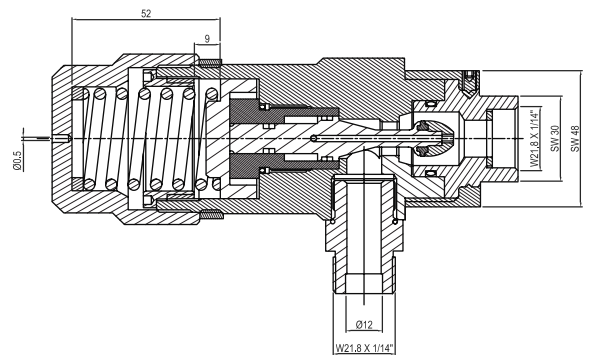
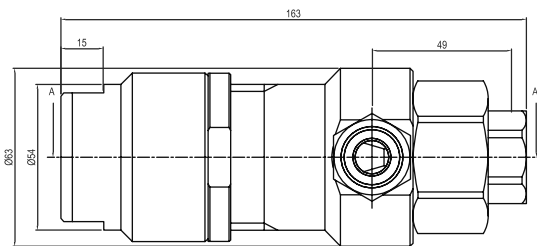
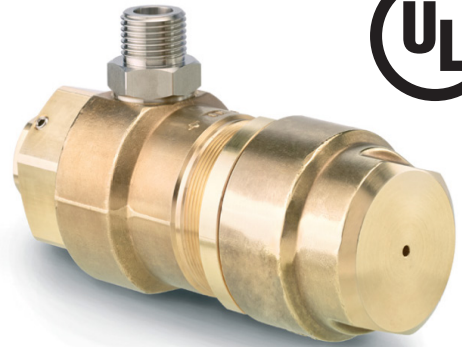


PRESSURE REGULATOR

The pressure regulator modulates the discharge pressure to a constant pressure, which still delivers the extinguishing agent within 60 seconds, but with significant performance and cost benefits. It prevents discharge freeze-up and explosive force of discharge. Low-pressure manifolds and pipework can be used - that means lower costs.

After a system discharge, no reconditioning of the pressure regulator is necessary. Functional tests are possible even while the system is armed. The pressure regulator is screwed with a gasket on the discharge port of the valve.



SPECIFICATION

Model No	B08400003-NF
Material	Brass
Inlet Pressure	200 / 300 Bar
Maximum Inlet Pressure	360 Bar
Orifice diameter	12 mm
Inlet Connection	W21.8 x 1/14" DIN 477
Outlet Connection	W21.8 x 1/14" DIN 477
Static outlet pressure	60 Bar



NAFFCO
 Email: info@naffco.com
www.naffco.com

In line with NAFFCO policy for continuous product development, NAFFCO has the right to change specifications without prior notice.