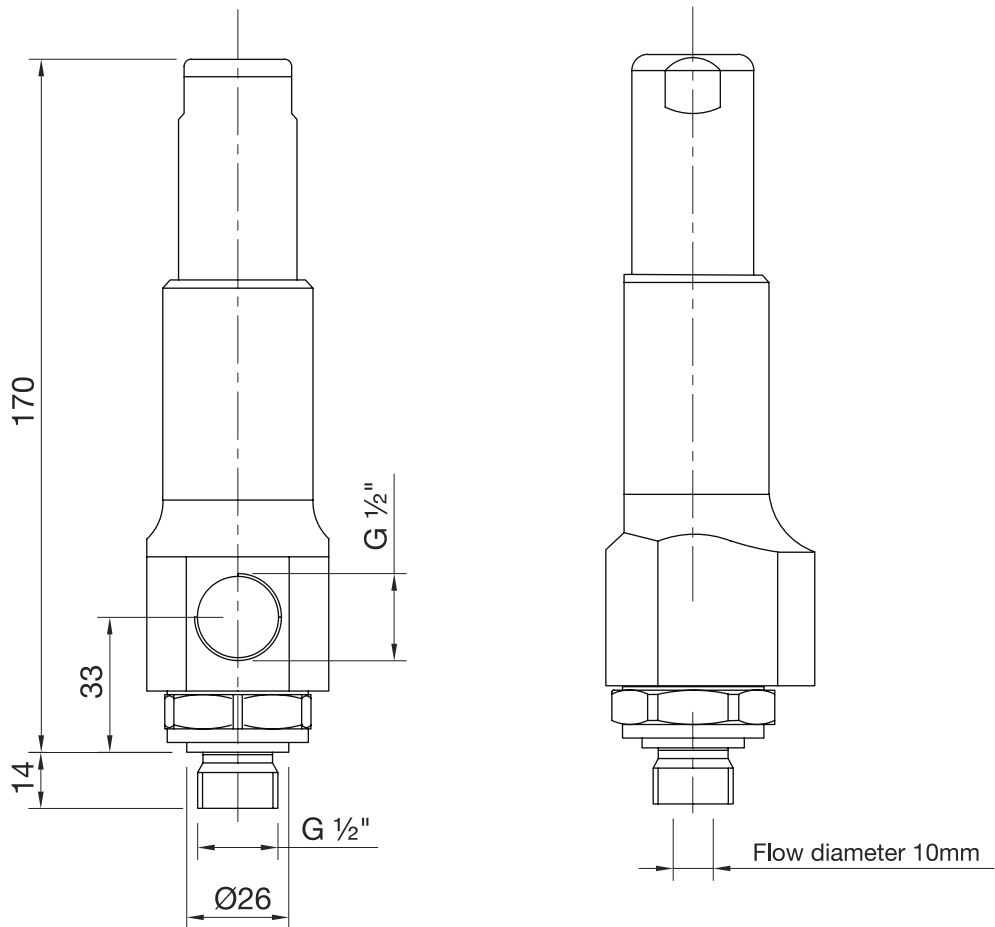


PRESSURE RELIEF DEVICE FOR MANIFOLD

The pressure relief device for manifold is a safety device to prevent overpressure during discharge.



SPECIFICATION

Model No	029730037-NF
Set pressure	66 bar at 20°C / 957 psi at 68°F
Connection Thread	G $\frac{1}{2}$ "



NAFFCO
Email: info@naffco.com
www.naffco.com

In line with NAFFCO policy for continuous product development, NAFFCO has the right to change specifications without prior notice.