

BUTTERFLY VALVES, GROOVED

MODEL: SDBV-GTEC-175

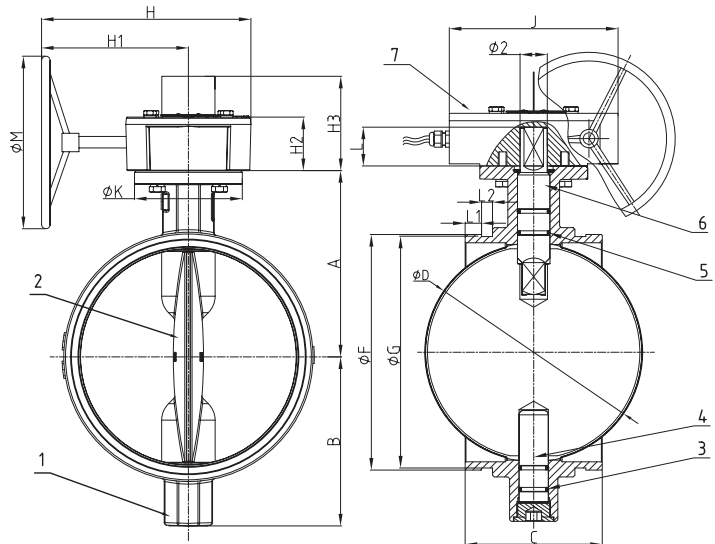


- Design Standard: MSS SP-67
- Connection Ends: Groove to AWWA C606
- Top Flange Standard: ISO 5211 Stem drive by keys, parallel or diagonal square or flat head
- With integrated tamper switch
- Working Pressure: 175 PSI
- Temperature Range: 0°C - 80°C
- Coating: Fusion Bonded Epoxy Coating in accordance with ANSI/AWWA C550 or painting upon request



MATERIAL SPECIFICATION

Part No.	Part	Standard Specification
1	Valve Body	ASTM A536, 65-45-12
2	Disc	ASTM A536, 65-45-12 + EPDM
3	O-Ring	NBR
4	Stem	AISI 431
5	O-Ring	NBR
6	Stem	AISI 431
7	Signal Gear Box	ASTM A536, 65-45-12



DN		Dimensions																
Inch	mm	A	B	C	Φ D	Φ F	Φ G	L1	L2	L	Φ K	H	H1	H2	H3	J	Φ M	Φ 2
2"	50	89	65	81	50.3	60.3	57.15	15.88	7.93	32	90	208	151	65	108	147	150	14
2.5"	65	102	71	97	60.8	73.0	69.09	15.88	7.93	32	90	208	151	65	108	147	150	14
3"	80	109	81	97	76	88.9	84.94	15.88	7.93	32	90	208	151	65	108	147	150	14
4"	100	128	95	116	98.5	114.3	110.08	15.88	9.53	32	90	208	151	65	108	147	150	16
5"	125	141	111	148	122.6	141.3	137.03	15.88	9.53	32	90	208	151	65	108	147	150	16
6"	150	153	133	148	148	168.3	163.96	15.88	9.53	32	90	208	151	65	108	147	150	20
8"	200	184	164	133	199	219.1	214.4	19.05	11.10	45	125	303	239	73	115	190	250	26
10"	250	216	196	159	252	273.1	268.28	19.05	12.70	45	125	303	239	73	115	190	250	26
12"	300	254	226	165	300.5	323.9	318.29	19.05	12.70	45	125	303	229	73	120	190	250	28

Unit : mm

BUTTERFLY VALVES, GROOVED



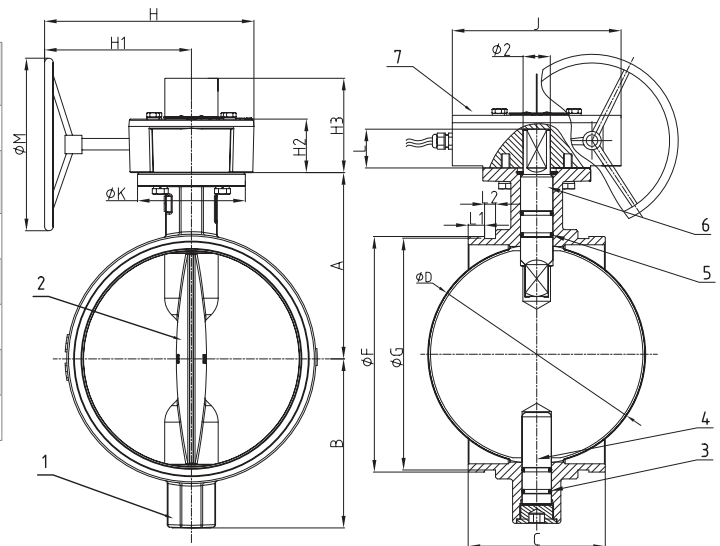
MODEL: SDBV-GTEC-200

- Design Standard: MSS SP-67
- Connection Ends: Groove to AWWA C606
- Top Flange Standard: ISO 5211 Stem drive by keys, parallel or diagonal square or flat head
- With integrated tamper switch
- Working Pressure: 200 PSI
- Temperature Range: 0°C - 80°C
- Coating: Fusion Bonded Epoxy Coating in accordance with ANSI/AWWA C550 or painting upon request



MATERIAL SPECIFICATION

Part No.	Part	Standard Specification
1	Valve Body	ASTM A536, 65-45-12
2	Disc	ASTM A536, 65-45-12 + EPDM
3	O-Ring	NBR
4	Stem	AISI 431
5	O-Ring	NBR
6	Stem	AISI 431
7	Signal Gear Box	ASTM A536, 65-45-12



DN		Dimensions																
Inch	mm	A	B	C	Φ D	Φ F	Φ G	L1	L2	L	Φ K	H	H1	H2	H3	J	Φ M	Φ 2
2"	50	89	65	81	50.3	60.3	57.15	15.88	7.93	32	90	208	151	65	108	147	150	14
2.5"	65	102	71	97	60.8	73.0	69.09	15.88	7.93	32	90	208	151	65	108	147	150	14
3"	80	109	81	97	76	88.9	84.94	15.88	7.93	32	90	208	151	65	108	147	150	14
4"	100	128	95	116	98.5	114.3	110.08	15.88	9.53	32	90	208	151	65	108	147	150	16
5"	125	141	111	148	122.6	141.3	137.03	15.88	9.53	32	90	208	151	65	108	147	150	16
6"	150	153	133	148	148	168.3	163.96	15.88	9.53	32	90	208	151	65	108	147	150	20
8"	200	184	164	133	199	219.1	214.4	19.05	11.10	45	125	303	239	73	115	190	250	26
10"	250	216	196	159	252	273.1	268.28	19.05	12.70	45	125	303	239	73	115	190	250	26
12"	300	254	226	165	300.5	323.9	318.29	19.05	12.70	45	125	303	229	73	120	190	250	28

Unit : mm

BUTTERFLY VALVES, GROOVED

MODEL: SDBV-GTEC-250

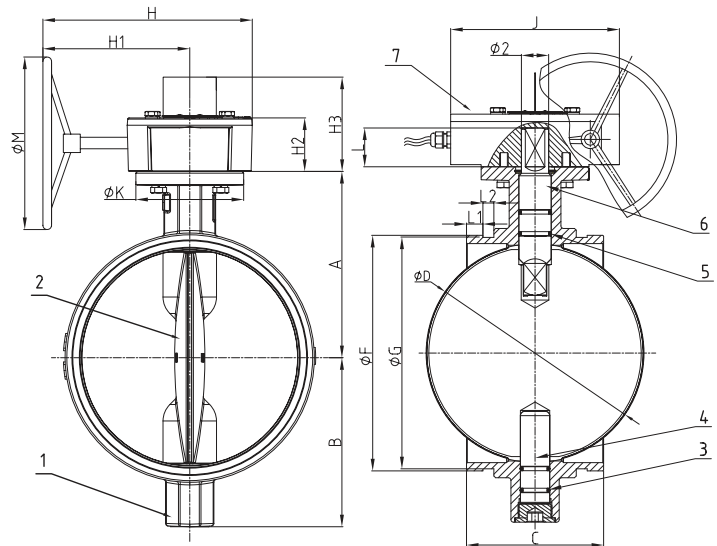


- Design Standard: MSS SP-67
- Connection Ends: Groove to AWWA C606
- Top Flange Standard: ISO 5211 Stem drive by keys, parallel or diagonal square or flat head
- With integrated tamper switch
- Working Pressure: 250 PSI
- Temperature Range: 0°C - 80°C
- Coating: Fusion Bonded Epoxy Coating in accordance with
- ANSI/AWWA C550 or painting upon request



MATERIAL SPECIFICATION

Part No.	Part	Standard Specification
1	Valve Body	ASTM A536, 65-45-12
2	Disc	ASTM A536, 65-45-12 + EPDM
3	O-Ring	NBR
4	Stem	AISI 431
5	O-Ring	NBR
6	Stem	AISI 431
7	Signal Gear Box	ASTM A536, 65-45-12



DN		Dimensions																
Inch	mm	A	B	C	Φ D	Φ F	Φ G	L1	L2	L	Φ K	H	H1	H2	H3	J	Φ M	Φ 2
2"	50	89	65	81	50.3	60.3	57.15	15.88	7.93	32	90	208	151	65	108	147	150	14
2.5"	65	102	71	97	60.8	73.0	69.09	15.88	7.93	32	90	208	151	65	108	147	150	14
3"	80	109	81	97	76	88.9	84.94	15.88	7.93	32	90	208	151	65	108	147	150	14
4"	100	128	95	116	98.5	114.3	110.08	15.88	9.53	32	90	208	151	65	108	147	150	16
5"	125	141	111	148	122.6	141.3	137.03	15.88	9.53	32	90	208	151	65	108	147	150	16
6"	150	153	133	148	148	168.3	163.96	15.88	9.53	32	90	208	151	65	108	147	150	20
8"	200	184	164	133	199	219.1	214.4	19.05	11.10	45	125	303	239	73	115	190	250	26
10"	250	216	196	159	252	273.1	268.28	19.05	12.70	45	125	303	239	73	115	190	250	26
12"	300	254	226	165	300.5	323.9	318.29	19.05	12.70	45	125	303	229	73	120	190	250	28

Unit : mm

BUTTERFLY VALVES, GROOVED

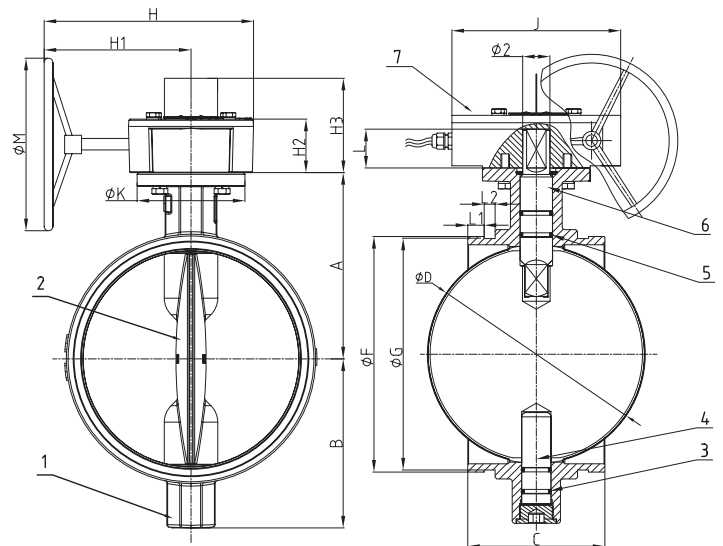
MODEL: SDBV-GTEC-300

- Design Standard: MSS SP-67
- Connection Ends: Groove to AWWA C606
- Top Flange Standard: ISO 5211 Stem drive by keys, parallel or diagonal square or flat head
- With integrated tamper switch
- Working Pressure: 300 PSI
- Temperature Range: 0°C - 80°C
- Coating: Fusion Bonded Epoxy Coating in accordance with ANSI/AWWA C550 or painting upon request



MATERIAL SPECIFICATION

Part No.	Part	Standard Specification
1	Valve Body	ASTM A536, 65-45-12
2	Disc	ASTM A536, 65-45-12 + EPDM
3	O-Ring	NBR
4	Stem	AISI 431
5	O-Ring	NBR
6	Stem	AISI 431
7	Signal Gear Box	ASTM A536, 65-45-12



DN		Dimensions																
Inch	mm	A	B	C	Φ D	Φ F	Φ G	L1	L2	L	Φ K	H	H1	H2	H3	J	Φ M	Φ 2
2"	50	89	65	81	50.3	60.3	57.15	15.88	7.93	32	90	208	151	65	108	147	150	14
2.5"	65	102	71	97	60.8	73.0	69.09	15.88	7.93	32	90	208	151	65	108	147	150	14
3"	80	109	81	97	76	88.9	84.94	15.88	7.93	32	90	208	151	65	108	147	150	14
4"	100	128	95	116	98.5	114.3	110.08	15.88	9.53	32	90	208	151	65	108	147	150	16
5"	125	141	111	148	122.6	141.3	137.03	15.88	9.53	32	90	208	151	65	108	147	150	16
6"	150	153	133	148	148	168.3	163.96	15.88	9.53	32	90	208	151	65	108	147	150	20
8"	200	184	164	133	199	219.1	214.4	19.05	11.10	45	125	303	239	73	115	190	250	26
10"	250	216	196	159	252	273.1	268.28	19.05	12.70	45	125	303	239	73	115	190	250	26
12"	300	254	226	165	300.5	323.9	318.29	19.05	12.70	45	125	303	229	73	120	190	250	28

Unit : mm