

TEST AND DRAIN VALVE

MODEL: SD-TDV50T, SD-TDV50G



DESCRIPTION

Test and Drain valve for sprinkler systems combines the functions of test and drain for wet sprinkler systems.

This valves have forged brass body with chrome plate brass ball valve and PTFE seats. The valves complies with the requirements of NFPA-13, NFPA- 13R and NFPA-13D. This valves are single handle ball valves with three working positions. They include tamper resistant test orifice and sight glass for the visual control.

PRODUCT SPECIFICATIONS

Test and drain valve for sprinkler systems combines the functions of test and drain for wet sprinkler systems. complies with the requirements of NFPA-13, NFPA-13R and NFPA-13D.

Main feature as following:

- NPT threads 1" - 1½" - 1 1/4" - 2"
- Groove connections 1 1/4" - 1½" - 2"
- Forged brass body
- Chrome plate brass ball valve
- PTFE seats.
- Single handle ball valves with three working positions
- Tamper resistant test orifice and sight glass included



SD-TDV50T (Threaded)



SD-TDV50G (Grooved)

VERSIONS AND PRODUCT CODES

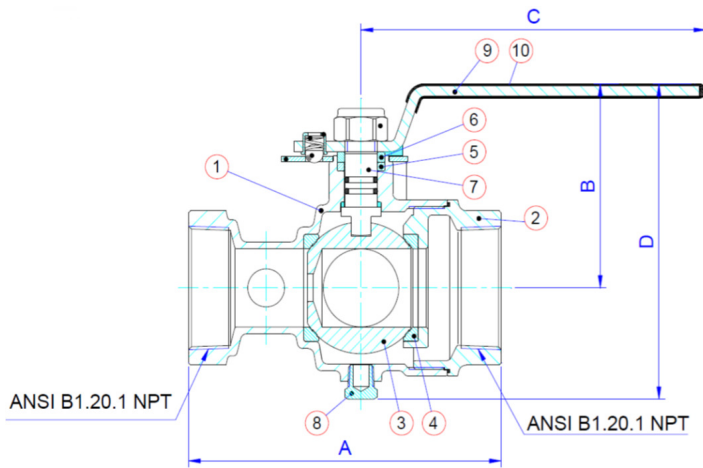
Series	Size	Type
SD-TDV50T	1"	NPT (F) x NPT (F)
	1¼"	
	1½"	
	2"	
SD-TDV50G	1¼"	Groove x Groove
	1½"	
	2"	

TECHNICAL DATA

- Rated pressure: 300 psi



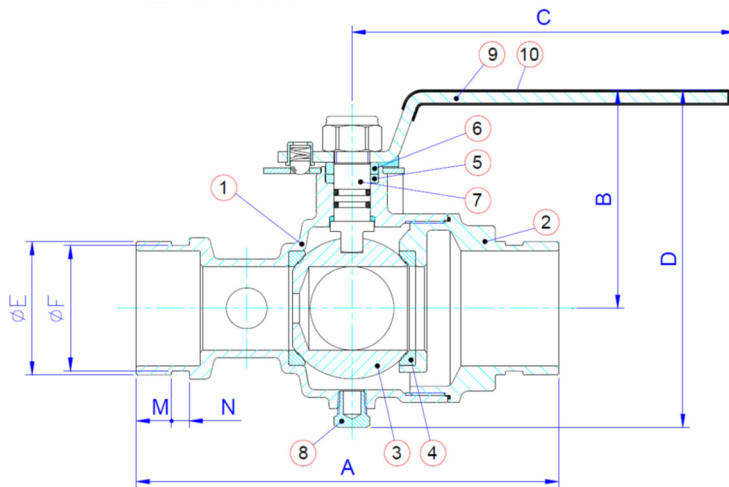
FEMALE NPT x FEMALE NPT



NO.	PART NAME	MATERIAL ASTM	QTY
1	BODY	BRASS C85700	1
2	END PIECE	BRASS C85700	1
3	BALL	BRASS	1
4	SEAT	TFM	2
5	GLAND PACKING	TFM	1
6	GLAND	BRASS	1
7	STEM	BRASS	1
8	DRAINPLUG	BRASS	1
9	LEVER	STEEL	1
10	LEVER GRIP	PVC VINYL	1

SIZE	A±2	B±2	C±2	D±3	H
1"	128.2	68.5	130.5	112	K7/16"/ k1/2"
1¼"	128.2	68.5	130.5	112	K7/16"/ k1/2"
1½"	157.2	99.1	174	154	K7/16"/ k1/2"/ k3/4"/ k25
2"	157.2	99.1	174	154	K7/16"/ k1/2"/ k3/4"/ k25

GROOVE x GROOVE



NO.	PART NAME	MATERIAL ASTM	QTY
1	BODY	BRASS C85700	1
2	END PIECE	BRASS C85700	1
3	BALL	BRASS	1
4	SEAT	TFM	2
5	GLAND PACKING	TFM	1
6	GLAND	BRASS	1
7	STEM	BRASS	1
8	DRAINPLUG	BRASS	1
9	LEVER	STEEL	1
10	LEVER GRIP	PVC VINYL	1

SIZE	A±2	B±2	C±2	D±3	øE	F ⁰ -0.38	M±0.76	N±0.76	K
1¼"	161.6	68.5	130.5	112	42.4±0.41	38.99	15.88	7.95	K7/16"/ k1/2"
1½"	190.9	99.1	174	154	48.3±0.48	45.09	15.88	7.95	K7/16"/ k1/2"/ k3/4"/ k25
2"	190.9	99.1	174	154	60.3±0.61	57.15	15.88	7.95	K7/16"/ k1/2"/ k3/4"/ k25