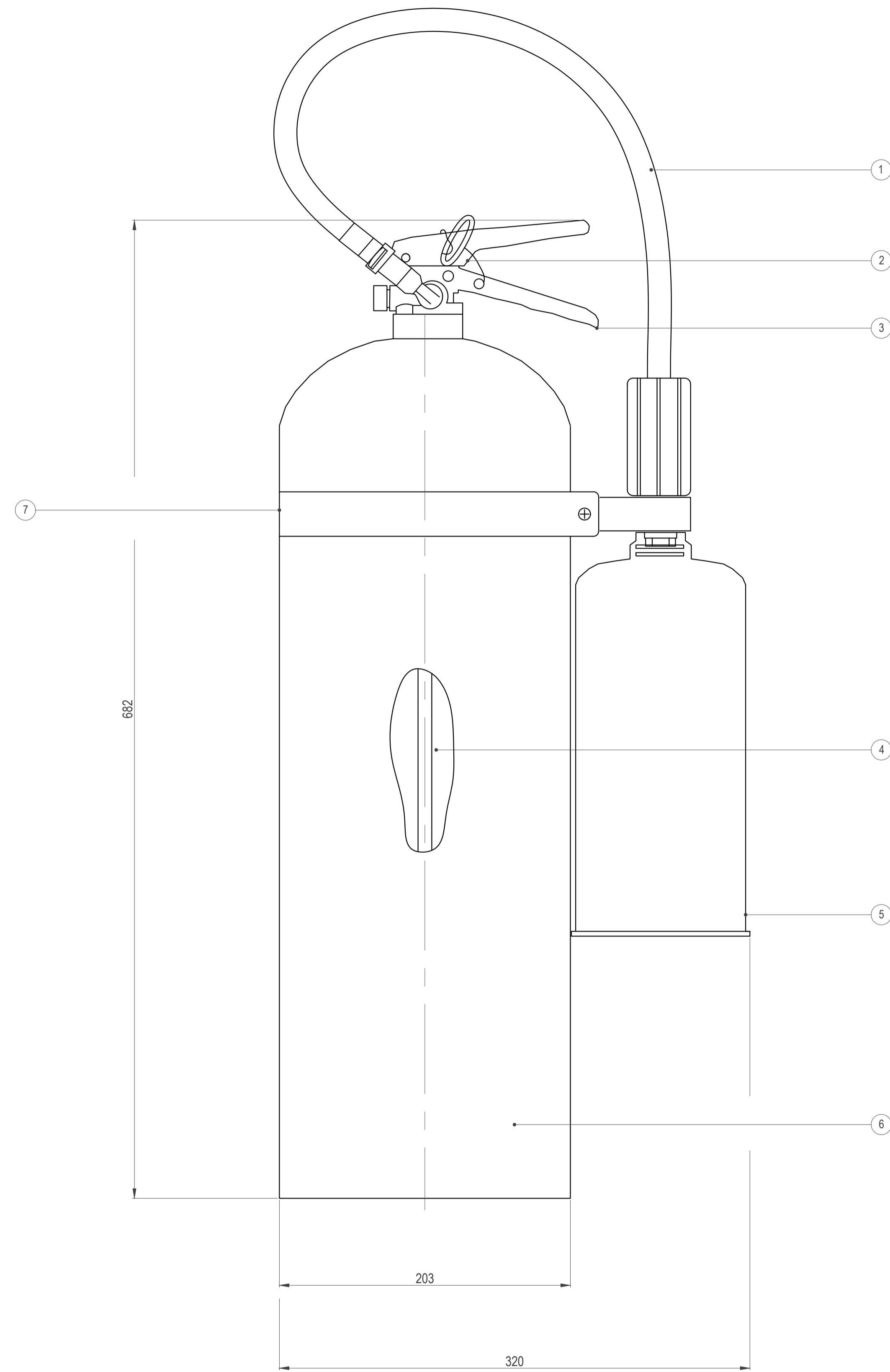


20LBS. CO₂ PORTABLE FIRE EXTINGUISHER
MODEL-NC 20L



NOTES :-

1. ALL DIMENSIONS ARE IN mm. UNLESS OTHERWISE SPECIFIED

BILL OF MATERIALS

ITEM NO.	DESCRIPTION	MATERIAL	QTY.
1.	HOSE	HIGH PRESSURE HEAVY DUTY	1
2.	SAFETY BELT	PLASTIC	1
3.	SQUEEZE GRIP VALVE	BRASS NICKEL PLATED	1
4.	DRIP TUBE	ALUMINIUM	1
5.	HORN ASSY.	PLASTIC INJECTION MOLDED	1
6.	CYLINDER	ALUMINIUM	1
7.	BELT FOR HOSE ASSY.	GALVANIZED IRON	1

SPECIFICATIONS

MODEL	NC 20L
EXTINGUISHING AGENT	CO ₂
AGENT CAPACITY	20 LBS (9.07KG)
UL RATING	10-B:C
CYLINDER MATERIAL	ALUMINIUM
UNIT HEIGHT	682mm +10/-0
UNIT DIAMETER	203MM
UNIT WIDTH	320MM
SHIP WEIGHT	22.2KG
DISCHARGE TIME	20Sec.
RANGE(FT/M)	4-8/1.2-2.4
APPROVAL	UL LISTED