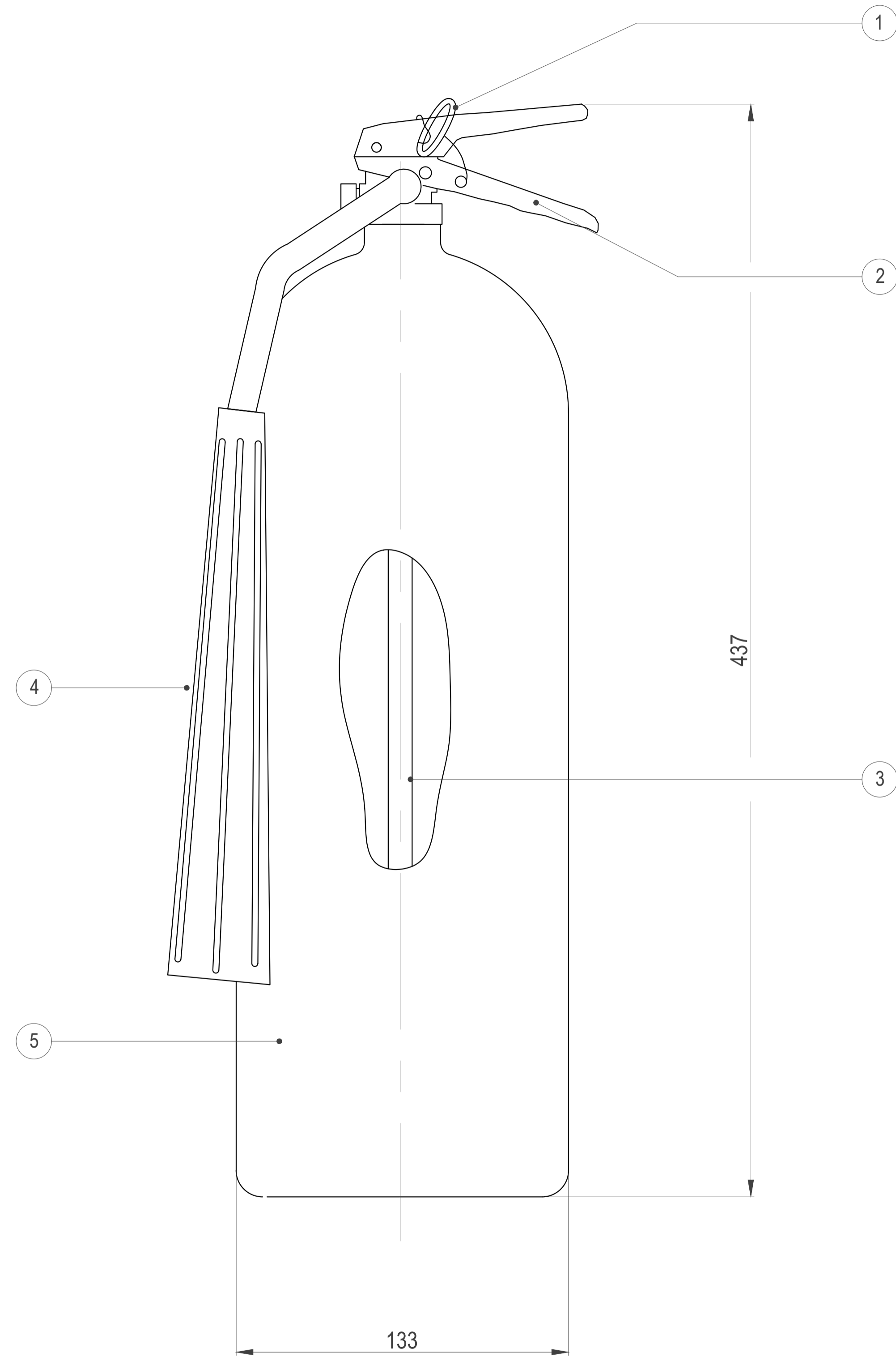


**5LBS. CO₂ PORTABLE FIRE EXTINGUISHER
MODEL-NC 5L**



NOTES :-

1. ALL DIMENSIONS ARE IN mm. UNLESS OTHERWISE SPECIFIED

BILL OF MATERIALS

ITEM NO.	DESCRIPTION	MATERIAL	QTY.
1.	SAFETY BELT	PLASTIC	1
2.	SQUEEZE GRIP VALVE	BODY:BRASS NICKEL PLATED HANDLE:STAINLESS STEEL	1
3.	DRIP TUBE	ALUMINIUM	1
4.	HORN ASSY.	HDPE BLACK	1
5.	CYLINDER	ALUMINIUM	1

SPECIFICATIONS

MODEL	NC 5L
EXTINGUISHING AGENT	CO ₂
AGENT CAPACITY	5 LBS (2.27KG)
UL RATING	5-B:C
CYLINDER MATERIAL	ALUMINIUM
UNIT HEIGHT	437mm +10/-0
UNIT DIAMETER	133MM
UNIT WIDTH	210MM
SHIP WEIGHT	6.1KG
DISCHARGE TIME	9Sec.
RANGE(FT/M)	4-8/1.2-2.4
APPROVAL	UL LISTED